



Compressor Selection: Compact Screw Compressors CS

Input Values

Compressor model	(CSH7571-90Y)	Operating mode	Standard
Refrigerant	R407C	Power supply	400V-3-50Hz
Reference temperature	Dew point temp.	Capacity Control	100%
Liq. subc. (in condenser)	0 K	Additional cooling	Automatic
Suct. gas superheat	10,00 K	Max. discharge gas temp.	110,0 °C
Useful superheat	100%		

Result

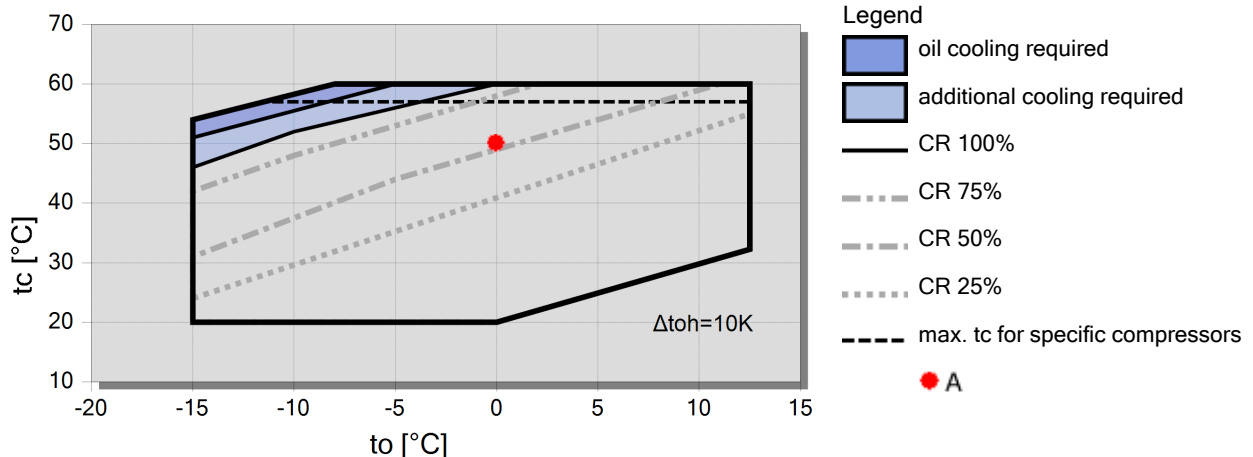
Q [W]	Cooling capacity	mHP [kg/h]	Mass flow HP
P [kW]	Power input	Qac [kW]	Additional cooling
I [A]	Current	tcu [°C]	Liquid temp.
COP [-]	COP/EER	pm [bar(a)]	ECO pressure
mLP [kg/h]	Mass flow LP	Qsc [kW]	sub cooler capacity (ECO)

tc	to	10°C	5°C	0°C	-5°C	-10°C	-15°C	-20°C	-25°C
30°C	Q [W]	319835	267562	222169	182862	148912	119644	--	--
	P [kW]	49,2	46,7	44,6	42,8	41,4	40,1		
	I [A]	82,9	79,3	76,4	74,0	71,9	70,2		
	COP [-]	6,50	5,73	4,98	4,27	3,60	2,99		
	mLP [kg/h]	6147	5213	4391	3668	3034	2477		
	mHP [kg/h]	6147	5213	4391	3668	3034	2477		
	Qac [kW]	--	--	--	--	--	--		
	tcu [°C]	24,6	24,6	24,6	24,6	24,6	24,6		
	pm [bar(a)]	--	--	--	--	--	--		
	Qsc [kW]	--	--	--	--	--	--		
40°C	Q [W]	286345	238476	196921	160941	129852	103019	--	--
	P [kW]	59,7	56,4	54,1	52,3	51,0	49,6		
	I [A]	98,0	93,3	89,9	87,4	85,4	83,5		
	COP [-]	4,80	4,23	3,64	3,07	2,55	2,08		
	mLP [kg/h]	6021	5090	4269	3546	2911	2351		
	mHP [kg/h]	6021	5090	4269	3546	2911	2351		
	Qac [kW]	--	--	--	--	--	--		
	tcu [°C]	34,9	34,9	34,9	34,9	34,9	34,9		
	pm [bar(a)]	--	--	--	--	--	--		
	Qsc [kW]	--	--	--	--	--	--		
50°C	Q [W]	247522	205133	168167	135933	107775	83065	--	--
	P [kW]	71,3	68,9	66,9	65,1	63,5	62,0		
	I [A]	115,3	111,7	108,7	106,0	103,6	101,4		
	COP [-]	3,47	2,98	2,52	2,09	1,70	1,34		
	mLP [kg/h]	5778	4868	4061	3343	2702	2124		
	mHP [kg/h]	5778	4868	4061	3343	2702	2124		
	Qac [kW]	--	--	--	--	--	3,75		
	tcu [°C]	45,4	45,4	45,4	45,4	45,4	45,4		
	pm [bar(a)]	--	--	--	--	--	--		
	Qsc [kW]	--	--	--	--	--	--		

-- No calculation possible (see message in single point selection)

*According to EN12900 (10K suction gas superheat, 0K liquid subcooling, see T.Data/ Notes)

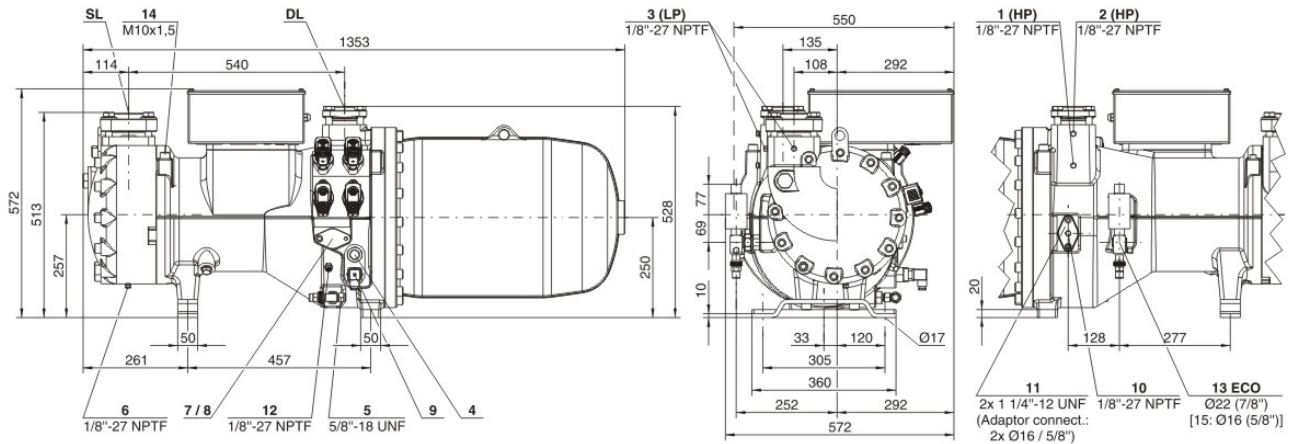
Application Limits Standard





Technical Data: (CSH7571-90Y)

Dimensions and Connections



Technical Data

Technical Data

Displacement (2900 RPM 50 Hz)	258 m3/h
Displacement (3500 RPM 60 Hz)	311 m3/h
Weight	530kg
Max. pressure (LP/HP)	19 / 28 bar
Connection suction line	76 mm - 3 1/8"
Connection discharge line	54 mm - 2 1/8"
Oil type R22	B320SH (Standard)
Oil type R134a/R407C/R404A/R507A/R407A/R407F	BSE170 (Option)

Motor data

Motor voltage (more on request)	380-415V PW-3-50Hz
Max operating current	162.0 A
Winding ratio	50/50
Starting current (Rotor locked)	423.0 A D / 686.0 A DD
Max. Power input	96,0 kW

Extent of delivery (Standard)

Enclosure class	IP54
Oil heater	200 W (Standard)
Oil separator	Standard
Oil filter	Standard
Discharge gas temperature sensor	Standard
Start unloading	Standard
Capacity Control - 4-step	100-75-50-25% (Standard)
Capacity Control - infinite	100-25% (Standard)
Built-in check valve	Standard
Motor protection	SE-E1 (Standard), INT69VSY-II(Standard for 660-690V)
Oil charge	15,0 dm3

Available Options

Oil level switch	Option
Discharge shut-off valve	Option
Suction shut-off valve	Option
Shut-off valve for ECO with muffler	Option
Liquid injection with integrated nozzle	Option
Bridges for DOL start	Option
Vibration dampers	Option